

Hi-Power Model
applicable to M12 rivet nut^{※2}

SPEED
POWER

LOBSTER's next generation
Pneumatic Rivet Nut Setter



SPEED

Operating speed

40% up comparing with previous LOBSTER model

POWER

Previous model

18kN

N1A2

25kN

Approximately 40% UP!!
Applicable to M12 rivet nuts

LIGHT WEIGHT

Previous model

2.6 kg

N1A2

2.1 kg

Approximately 20 % weight saving!!



(Compared with LOBSTER previous model)

Easily insert rivet nuts

Simply push the rivet nut to the mandrel



① Push the rivet nut to the mandrel for installation.

Clutch mechanism

Make accurate installation and avoid working failure

Easy stroke adjustment

No need tools to adjust the stroke

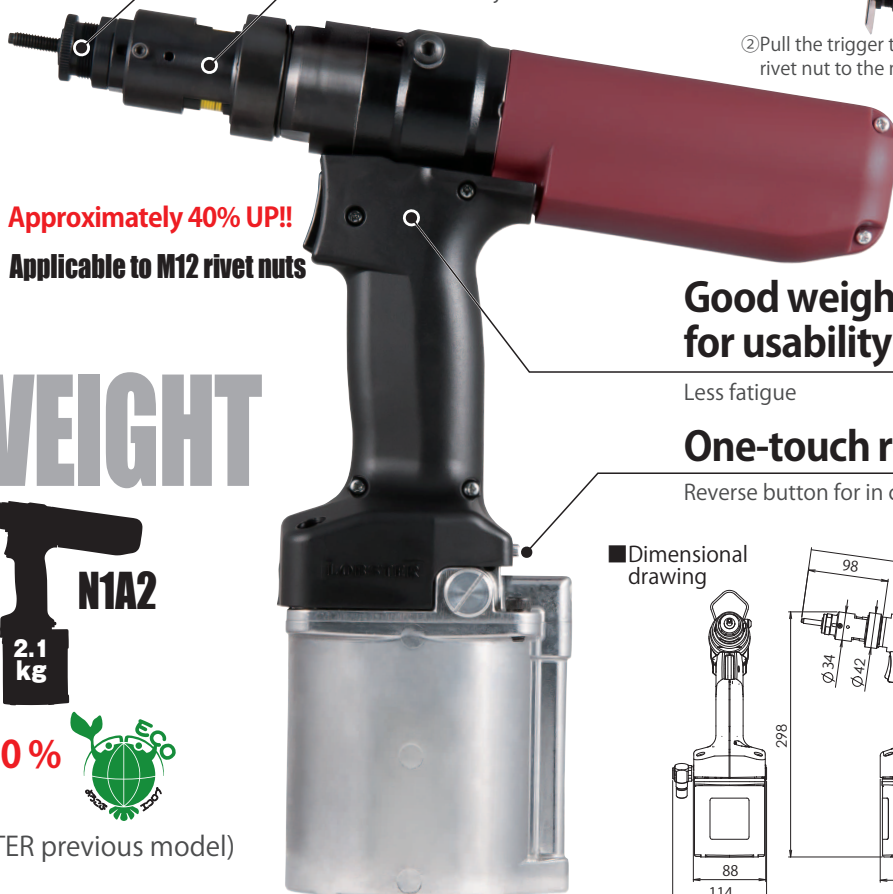
② Pull the trigger to set the rivet nut to the material.

Good weight balance for usability

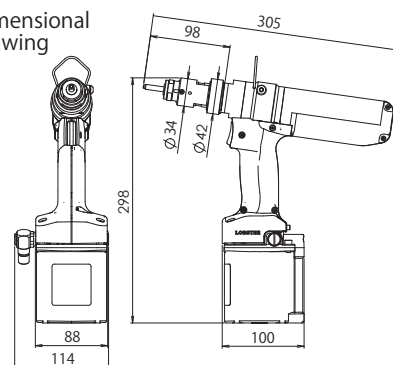
Less fatigue

One-touch reverse

Reverse button for in case of accident



Dimensional drawing



Model	Weight (kg)	Nut Setting Capacity *1 *2	Working Air Pressure (MPa)	Traction Power *3 (kN)	Stroke (mm)	Air Consumption	Noise Emission (dB)
N1A2	2.1	(M3), M4, M5, M6, M8, M10, (M12)	0.5~0.6	25	7	3.0	80

*1 When using M3, M12 rivet nuts, please purchase screw mandrel and nosepiece sold separately.

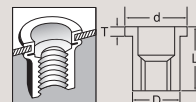
*2 Except rivet nuts unworkable within the tool specifications

*3 When air pressure is 0.6MPa

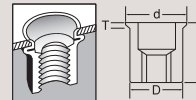
New Release with N1A2 LOBSTER M12 Rivet Nut (production by order)

Model	Material	Compatible Screw	Nut Setting Capacity (mm)	Hole Diameter (φmm)	Outer Dimensions (mm)				Torque (N·m)	Tensile (kN)	Per Package
					D	d	T	L			
NSD1240M	Steel	M12×1.75	2.5~4.0	16.1	16.0	19.0	1.5	20.0	117.7	40.2	300
NSK1240M					16.0	18.0	0.7	20.8			

Large flange NSD1240M



Small flange NSK1240M



*When using N1A2, please adjust the air pressure more than 0.55MPa.

*Please contact your nearest LOBSTER dealer for the product information and the price.

Caution for secure usage

Be sure to read enclosed Instruction Manual carefully and make sure that you understand them thoroughly before using this tool.

●All dimensions are nominal and subject to tolerances.

●Specification are subject to change without prior notice.