

HIOS®

Connection with JYUKUREN BLG-BC2 provides simple control of fastening a screw!

This tool is easy to use for a wide variety of purposes.



HERMES
THE TOOL COMPANY



Kompania Narzędziowa "HERMES" Sp. z o.o.

ul. Sarni Stok 73 a, 43-300 Bielsko-Biała, Polska; tel: +48 33 821 41 90-91

e-mail: biuro@hermestools.eu

www.hermestools.eu

New

熟練工 BC2 External I/O Box

BLG-10-Pro1

- ① Identifies an erroneously fastened screw, which can be interlocked with a revolving light.
- ② Operations can be coordinated with PC (the dedicated software).
- ③ No preparation of a program like PLC controls is required.
- ④ Driver operation control is possible depending on whether work is available or not.
- ⑤ When a screw is fastened erroneously, the driver terminates operation if so set up.

BLG-4000BC2



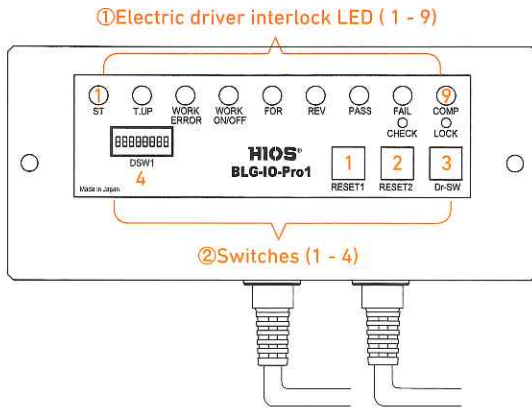
BLG-5000BC2



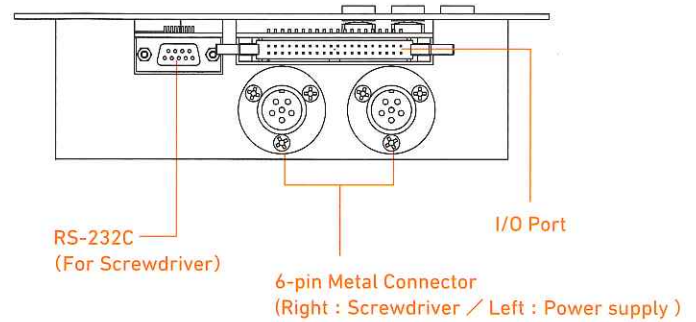
熟練工
JYUKUREN®

JYUKUREN=Proficient

Front Panel



External connection



① Electric driver interlock LED (1 - 9)

- | | |
|---|--|
| 1. ST (ON from start to stop) | 6. REV (ON during reverse rotation) |
| 2. T.UP (ON when the driver clutched out) | 7. PASS (ON when screw-fastening errors did not occur) |
| 3. WORK-Err (ON when work pieces are not set) | 8. Fail (ON when screw-fastening errors occurred) |
| 4. WORK-ON/OFF (presence/absence of work-piece) | 9. COMP (ON after cycle complete.) |
| 5. FOR (ON during normal rotation) | |

② Switches on the front panel(1 - 4)

1. RESET 1
2. RESET 2
3. Dr-SW (BLG-BC2 can be forcibly turned off.)
4. DSW1 (Reference 1)

Configuration Example

Basic Configuration

Screwdriver



• BLG-4000BC2 • BLG-5000BC2

I/OBOX



Power Supply

- T-45BL
- T-70BL



* External devices below can be used according to the conditions.

Work Set S/W



Revolving Light



PC



Buzzer



Specifications

| Consumption current | Open collector output | External dimension (mm) | Weight (g) | Accessories |
|--|-----------------------|-------------------------|------------|--|
| 30V / 40mA (For HIOS Power Supply T-45BL or T-70BL) | max. 40V/40mA | | 635g | 40-pin connector: 1pc, Terminals: 20pcs, 6-pin driver cord 2m: 1pc, BLG-IO-Pro1 Operation Manual: 1copy |

HIOS Inc.

Head Office: 111-6 Akiyama, Matsudo City, Chiba Pref., Japan 270-2223 Phone: +81 (Japan) 47-392-2001

Osaka Office: 18F Naniwasuji SIA Bldg., 2-4-2 Shinmachi, Nishi-ku, Osaka City, Japan 550-0013 Phone: +81 (Japan) 6-6533-0903

Nagoya Office: 9F Kirix Marunouchi Bldg., 1-17-19 Marunouchi, Naka-ku, Nagoya, Aichi Pref., Japan 460-0002 Phone: +81 (Japan) 52-219-5566

Yamagata Factory: 5 Takagi, Yamagata City, Yamagata Pref., Japan 990-2346 Phone: +81 (Japan) 23-645-8100

HIOS (Shenzhen) Co., Ltd. 11CD Room New Times Plaza, 1 Taizi Road, Shekou Nanshan District, Shenzhen, Guangdong Province, China 518067 Phone: +86 (China) 755-26674278

* Specifications and appearances may change without notice. * Information in this catalog: as of December 2015

